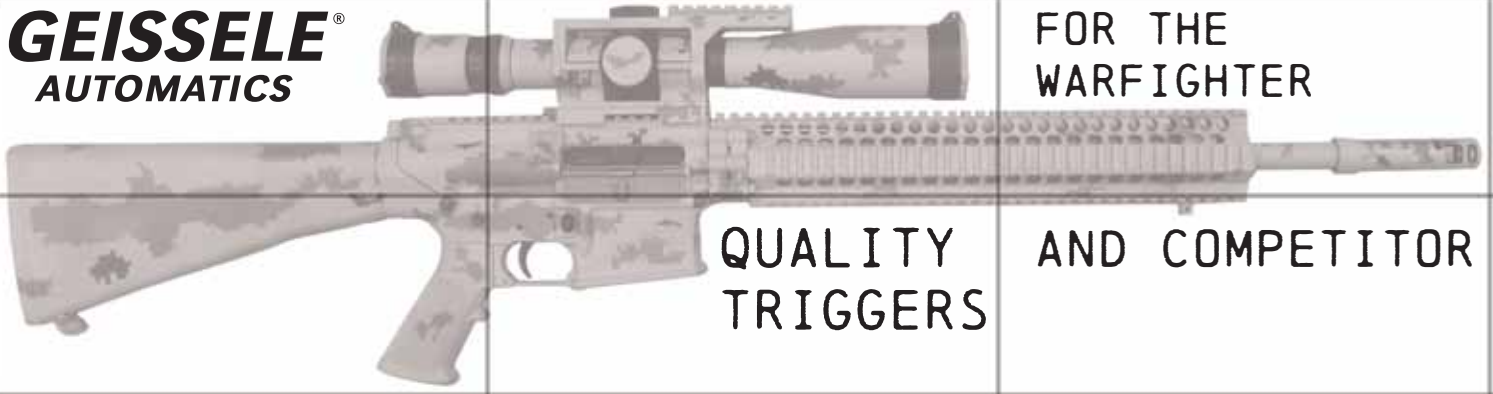


GEISSELE[®]
AUTOMATICS



FOR THE
WARFIGHTER

QUALITY
TRIGGERS

AND COMPETITOR

HI - SPEED NATIONAL MATCH

The Geissele Hi-Speed National Match Trigger is designed for competitive shooting and semi-automatic sniper weapons. It is a fully adjustable trigger that can be tuned by the shooter to suit individual tastes. This gives the Geissele Hi-Speed flexibility to cover a broad range of shooting styles. From Benchrest and Varmint shooting to CQB entry work the Geissele Hi-Speed does it all, does it well, does it safely and reliably.

We have three different trigger models in the Hi-Speed line:
Service Rifle, Designated Marksman Rifle (DMR) and Match Rifle

The Geissele Service Trigger

The Geissele Hi-Speed Service Rifle Trigger is designed for NRA High Power Service Rifle competition. It is an approved trigger for use in CMP sanctioned competitions such as: National Trophy, NTIT and all Excellence In Competition matches. Service Rifle competitions require military based weapons to meet certain criteria, one of which is a minimum trigger pull weight of 4.5 lbs. Our Service Rifle Trigger includes our exclusive 5-Coil trigger spring which will give a nominal 4 lb 1st stage. The Service trigger pull weights are biased with most of the pull weight on the 1st stage. This will allow a light second stage with an icicle sharp break, effectively giving your weapon a match grade trigger let off.

The Geissele DMR Trigger

The Geissele Hi-Speed Designated Marksman Rifle Trigger is designed for tactical and military shooting where trigger pull weight is not regulated. The Geissele DMR trigger combines the light 1st stage of the Match trigger with the more robust 2nd stage weight of our Service trigger. Perfect for all precision tactical shooting and squad Designated Marksmen, the higher 2nd stage weight helps in high stress shooting situations.

The Geissele Match Trigger

The Geissele Hi-Speed Match Rifle Trigger is designed for NRA High Power Rifle competition with highly modified AR-15 Spaceguns. AR-15 Spaceguns are the Formula 1 weapons of High Power Rifle competition. With very few restrictions, these highly customized semi-automatic weapons are intended to produce extreme accuracy at long range. The Geissele Match trigger is a perfect Spacegun add on as the pull weight can be adjusted to low levels that enhance trigger control. The fast lock time assists the shooter in getting every ounce of accuracy out of his weapon. The Hi-Speed hammer uses a full power hammer spring which imparts more kinetic energy into the firing pin which produces much more consistent primer ignition especially with experimental cartridges or AR-10 based weapons.

PULL WEIGHTS

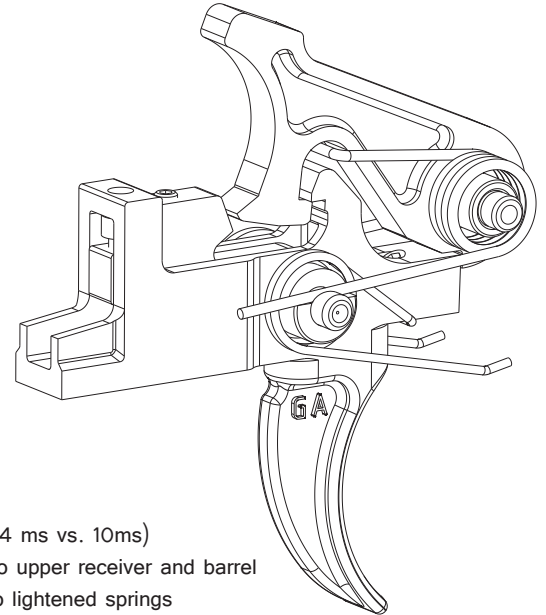
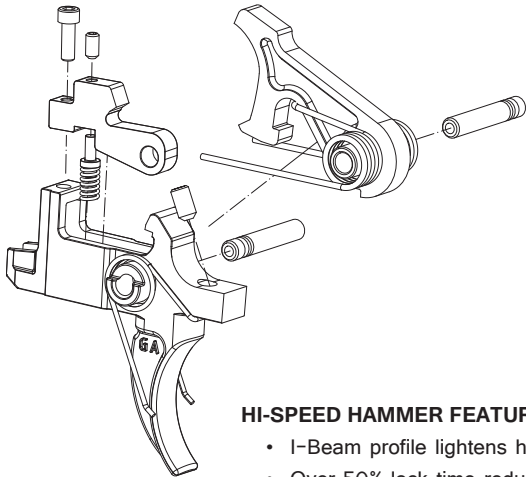
	1st Stage	2nd Stage	Total Weight
Service Rifle	3.2 - 5lb.	0.5 - 1.5lb.	3.7 - 6.5lb.
DMR	2.5 - 3.6lb.	0.5 - 1.5lb.	3.0 - 5.1lb.
Match Rifle	1.5 - 2.5lb.	0.4 - 0.9lb. (6 - 14oz.)	1.9 - 3.4lb.

Retail Price: \$279

GEISSELE[®] AUTOMATICS

We Manufacture Confidence[®]

HI-SPEED NATIONAL MATCH TRIGGER

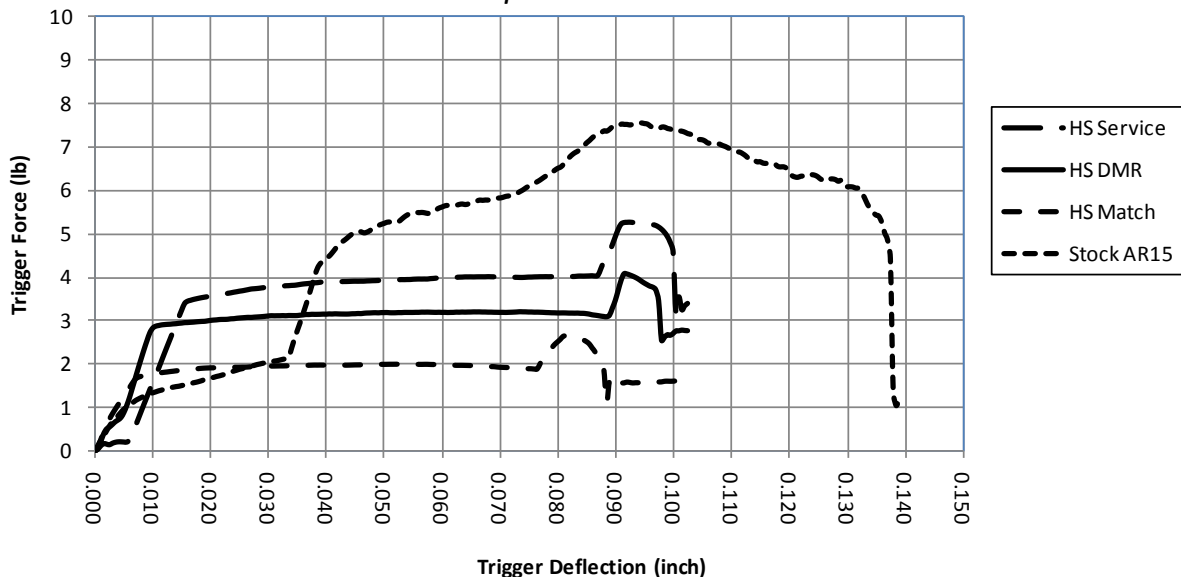


HI-SPEED HAMMER FEATURES:

- I-Beam profile lightens hammer while retaining strength
- Over 50% lock time reduction over standard hammer (4.4 ms vs. 10ms)
- Smoother hammer strike decreases impact disturbance to upper receiver and barrel
- Standard, high strength hammer and trigger springs - no lightened springs
- Sear engagement and 2nd stage weight independently adjustable
- Over-travel adjustment
- A separate, removable disconnecter allows easy detail cleaning
- Trigger bow moved forward 3/16" to reduce finger crowding
- Short 1st stage pull with exceptionally clean and sharp 2nd stage let-off

Trigger Profile

Geissele Hi-Speed vs. Stock AR-15



U.S. Pat No.: 7,331,136