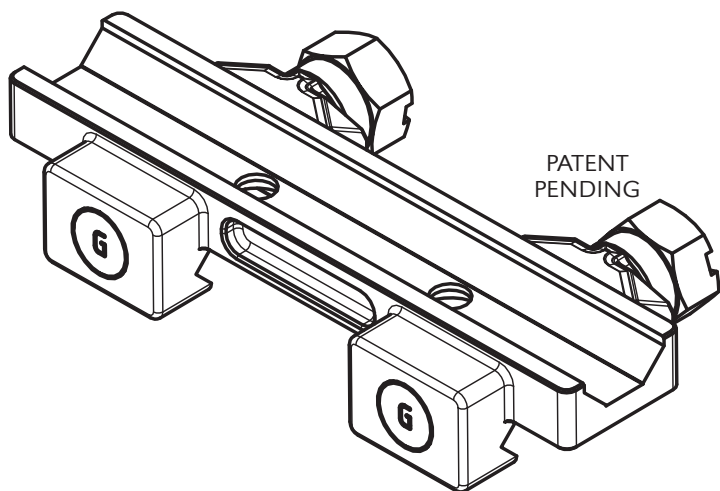


GEISSELE[®]

AUTOMATICS

We Manufacture Confidence[®]



SUPER PRECISION™ OPTIC MOUNT FOR THE TRIJICON ACOG SERIES INSTALLATION INSTRUCTIONS

READ THIS FIRST

Firearm safety is **YOUR** responsibility. You must memorize and put into practice the 4 Rules of Firearm Safety:

1. **ASSUME EVERY WEAPON IS LOADED.**
2. **KEEP YOUR FINGER OFF THE TRIGGER UNTIL YOU ARE READY TO SHOOT.**
3. **DO NOT LET THE MUZZLE POINT AT ANYTHING YOU ARE NOT WILLING TO DESTROY.**
4. **KNOW YOUR TARGET AND WHAT IS BEYOND.**

A BRIEF DESCRIPTION OF GEISSELE'S SUPER PRECISION™ OPTIC MOUNTS

Machined from a single block of aircraft grade 7075-T6 billet aluminum, the Super Precision Optic Mount is milled down to an ultra light 2.6 ounces. Each Geissele Super Precision Optic Mount will feature two precision machined shear lugs so that the optic stays in place during recoil and bolt carrier counter recoil.

Geissele worked closely with optic manufacturers to precisely mate our mounts with each individual optic. This relationship guarantees a solid interface between the optic and base. The Geissele mounts are locked in place utilizing the classic, battle proven, nut and clamp system which provides over 1,000 pounds of clamping force.

PACKAGE CONTENTS

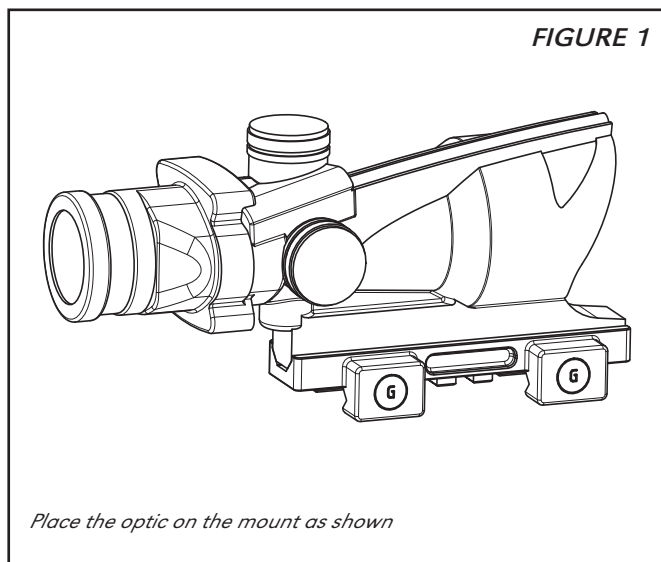
- Super Precision Mount
- Optic Retaining Screw (2)
- Instruction Sheet

ADDITIONAL TOOLS REQUIRED

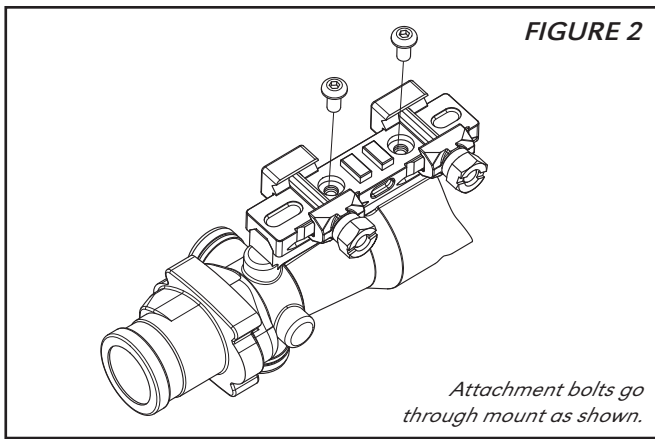
- 1/8" Hex Key
- 1/2" Wrench
- Method of securely supporting rifle
- Optional: Torque wrench in foot-pound increments

INITIAL ASSEMBLY

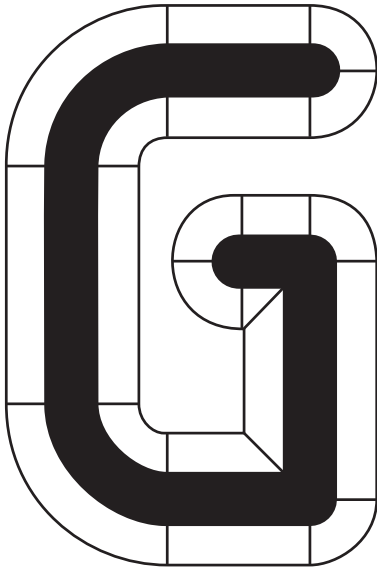
1. The first step is to confirm fitment of the Trijicon ACOG optic to the base (**FIGURE 1**). For optimum support of the optic, place the mount so the clamp and nut are on the left side of the ACOG while looking through the eyepiece. The angular sides of the optic base should rest on the corresponding sides of the mount. With the mount situated as described, confirm that the screws will go through the base.



2. With the mount properly fitted to the optic, apply thread locking compound to the supplied screws and install. **NOTE:** There is **NO** specific value given by Trijicon, however, Geissele recommends torquing the screws to 25 inch/lbs.
3. Installing the mount to the weapon can be accomplished much faster and easier when the rifle is firmly supported. If working on an AR style rifle, the Geissele Reaction Rod is the perfect solution for providing this support to the upper receiver.
4. With the rifle well supported, install the optic mount to the Picatinny rail. The clamping interface along with the shear lugs will provide a snug and repeatable connection between the rail and mount. Due to this close fit, any finish on the rail slots that adds build up, such as paints or ceramic-based coatings, might cause interference. If these finishes are present they may need to be trimmed with a razor blade. Until the final eye-relief is set, the clamping nuts can be tightened by hand.



5. At this time it is best to set eye relief. It is good practice to set eye relief in the prone position and check it from several other shooting positions as well.
6. The final step is to tighten the clamping nut on the mount to the rifle. This can be completed using a ½" box-end wrench. Final torque is reached when the wrench is ¼ turn past hand tight. If using a torque wrench is preferred, the torque value should not exceed 6 foot-pounds or 72 inch-pounds to prevent damage to the receiver. Note, if removing and re-installing in the field is required; a torque wrench is not necessary. Any method of attaching the mount, such as pliers or a wrench, will be sufficient for returning to the optic's zero.



Thank You For Your Purchase.
Contact Geissele Automatics with any questions.

GEISSELE AUTOMATICS • 800 North Wales Road • North Wales, PA 19454

TEL: 610.272.2060 | **FAX:** 610.272.2069

E-MAIL: sales@geissele.com | **WEB:** www.geissele.com