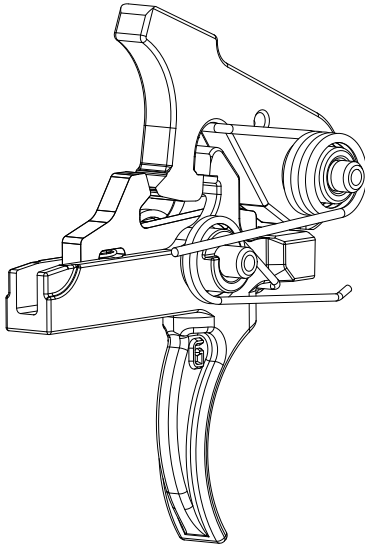


GEISSELE[®]

AUTOMATICS

We Manufacture Confidence[®]



SUPER 3 GUN

S3G TRIGGER

Installation Instructions

READ THIS FIRST

Firearm safety is **YOUR** responsibility. You must memorize and put into practice the 4 Rules of Firearm Safety:

- 1. ASSUME EVERY WEAPON IS LOADED.**
- 2. KEEP YOUR FINGER OFF THE TRIGGER UNTIL YOU ARE READY TO SHOOT.**
- 3. DO NOT LET THE MUZZLE POINT AT ANYTHING YOU ARE NOT WILLING TO DESTROY.**
- 4. KNOW YOUR TARGET AND WHAT IS BEYOND.**

The Geissele Automatics Super 3 Gun (S3G) Trigger will lighten the trigger pull relative to a standard trigger. This lightened trigger pull will make the firearm easier to discharge. You must recognize and accept this fact before installing this trigger. If you do not want a lighter than standard trigger pull or are not willing to accept responsibility for the safety of your firearm, yourself, and those around you, do not install this trigger.

PLEASE READ ABOUT S3G STYLE TRIGGER CONTROL ON REVERSE SIDE OF THIS PAGE BEFORE FIRING .

Geissele Automatics recommends installation by a certified gunsmith only

INSTALLATION INSTRUCTIONS

1. Unload rifle and make safe.
2. Remove existing trigger and clean receiver. It is not necessary to remove the safety.
3. Remove the trigger pin from the trigger and replace with the slave pin to hold the disconnecter in place.
4. Install trigger and slave pin into rifle. Align slave pin with receiver pin holes. Insert trigger pin into receiver, through trigger/disconnector, and into receiver on opposite side.
5. Remove hammer pin from hammer. Place a drop of lubricant in the bore of the hammer pivot.
6. Install hammer into receiver with hammer spring legs on top of the trigger pin. Insert hammer pin into receiver, through hammer, and into receiver on opposite side.
7. Apply a small amount of lubricant in the following locations as shown on the reverse side this page.
 - a. Each side of the disconnecter above the trigger pin;
 - b. Hammer and trigger sears.
 - c. Face of the disconnecter;
 - d. Hammer tail where it contacts the disconnecter
 - e. Top of each side of the hammer spring where the spring contacts the receiver wall.
8. Check safety operation: With the hammer cocked and the safety selector set to the SAFE position, pull the trigger hard. The hammer should not fall.
9. Check trigger reset: Set safety selector to FIRE. Dry fire weapon and keep trigger held back. Pull charging handle all the way back and release, letting the bolt carrier snap forward. The hammer should not fall. Release trigger. Hammer should be caught by the trigger.

Maintenance of the Geissele S3G consists of occasionally placing a drop of lubricant on the locations shown in #7 above. Recommended lubricant is CLP or equivalent; alternatively a high quality grease may be used on the trigger/hammer sears and disconnecter contact surfaces.

When the trigger and lower receiver well become very dirty (such as when firing with a suppressor), it is not always necessary to remove the trigger group for cleaning. Spray down the trigger group with electrical contact cleaner to remove residual oil and dirt. Next, use compressed air to blow off the trigger group and then flush liberally with a light lubricant as CLP or equivalent. Blow off excess lubricant with compressed air and lubricate as noted above.

Thank You For Your Purchase.
Contact Geissele Automatics with any questions.

GEISSELE AUTOMATICS • 800 NORTH WALES RD • NORTH WALES, PA 19454
TEL: 610-272-2060 | FAX: 610-272-2069
E-MAIL: INFO@GEISSELE.COM | WEB: WWW.GEISSELE.COM
PATENTS: WWW.GEISSELE.COM/PATENTS
GEISSELE AUTOMATICS SUPER 3 GUN INSTRUCTIONS VERSION 2 - 03/24/15

A NOTE ABOUT TRIGGER CONTROL WITH THE S3G STYLE TRIGGERS

The Geissele S3G and SD-3G triggers are very prone to bump firing. Bump firing is when the trigger is inadvertently pulled again during the firing cycle. This manifests itself in appearance of multiple shots being fired but in actuality the trigger is being pulled again. The light pull, short length pull, linear pull weight profile, as well as the smooth tactile feedback and very short reset of the Geissele S3G style triggers all contribute to bump firing.

If you encounter bump firing, make sure to do the following:

1. Hold the weapon Firmly. Grip the handguard and pistol grip with enough strength to pull the rifle back into your shoulder.
2. Pull the trigger back directly with more pull weight than it takes to drop the hammer. Do not feather the trigger. Feathering the trigger is putting just enough pull into the trigger to discharge the weapon. By feathering the trigger, the shooter's trigger finger is not holding back against the stop during the firing cycle. The trigger is floating so that the bolt carrier slamming home is tossing the rifle forward and causing the trigger to be pulled again.
3. Use the heavy gold trigger spring. That will keep the trigger weight at about 4.5lbs. The lighter the pull weight, the greater the tendency there is to bump fire.

4. Try the S3G Trigger in another brand of lower receiver. Some lower receivers are machined with marginal tolerances and a short pull like the S3G can be even more prone to bump firing in certain brands of lower receivers.
5. Try a 2-Stage trigger like Geissele SSA or SSA-E. The shooter's individual shooting style may not support a short pull / short reset performance trigger. The greater forgiveness of a 2-Stage trigger will solve any bump firing issues.

You will notice a gold trigger spring is installed in your new S3G or SD-3G trigger. This will give about a 4.5 lb. pull weight. If a lighter pull is desired, the gold spring can be replaced with the black trigger spring. This black spring will give around a 3.5 lb. pull weight.

Keep in mind that a semi-automatic rifle reloads itself in a flash when your finger is still on the trigger. In contrast, when shooting a bolt gun, the shooter removes his finger from the trigger and hand from stock to work the bolt to reload the rifle. When using a Geissele S3G style trigger, the shooter may need to modify his shooting style to successfully work with the dynamic firing and automatic reload cycle of a semi-automatic weapon.

Please contact Geissele Automatics with any questions.

GEISSELE[®] AUTOMATICS

SUPER 3 GUN (S3G)

For the M16/M4/AR15/AR10 weapon family
U.S. Pat. 7,600,338

