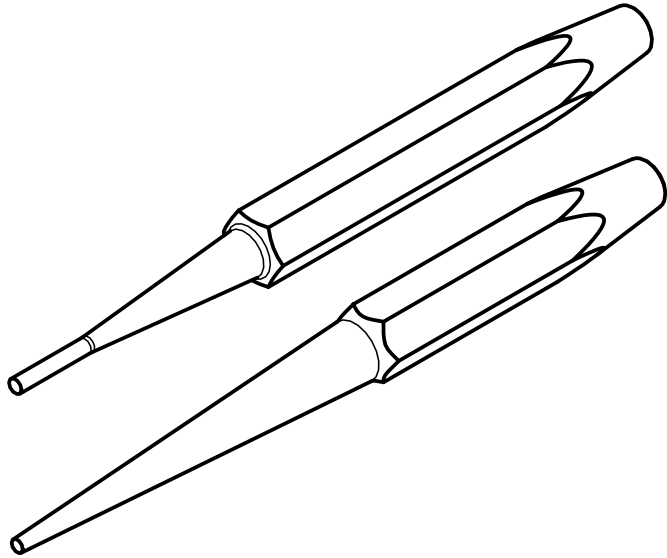


GEISSELE[®]

AUTOMATICS

We Manufacture Confidence[®]



GAS BLOCK PUNCH KIT

User's Guide

READ THIS FIRST

Firearm safety is **YOUR** responsibility. You must memorize and put into practice the 4 Rules of Firearm Safety:

1. **ASSUME EVERY WEAPON IS LOADED.**
2. **KEEP YOUR FINGER OFF THE TRIGGER UNTIL YOU ARE READY TO SHOOT.**
3. **DO NOT LET THE MUZZLE POINT AT ANYTHING YOU ARE NOT WILLING TO DESTROY.**
4. **KNOW YOUR TARGET AND WHAT IS BEYOND.**

A BRIEF DESCRIPTION OF OUR PUNCH KIT

The Geissele Gas Block Pin Punches are specially made for removing and installing the 0.078" roll pin that secures the gas tube to the gas block on an M4 Carbine/AR10.

The removal of a rusted-in gas block roll pin has always been a challenge since there are no commercial pin punches in 0.078" diameter. (Figure 3)

1/16" (0.062") punches have a tendency to bend and very few starter punches are available in 1/16" diameter. The Geissele punches make gas block work a whole lot easier.

ATTENTION: Always make sure your weapon is unloaded and the magazine is removed before you start working. As with any impact tool, safety glasses are mandatory when using the Geissele Gas Block Roll Pin Punches.

USER'S GUIDE

1. The first punch to use when removing the roll pin is the Starter Punch. *This is the punch with the long tapered end.* (Figure 1)

The long taper is much more resistant to bending and buckling than the straight shank of the Pin Punch. Use the Starter Punch to just get the roll pin moving.

2. Then use the Pin Punch to drive the roll pin fully out. (Figure 2)

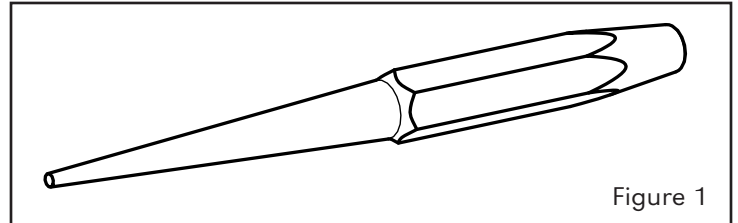


Figure 1

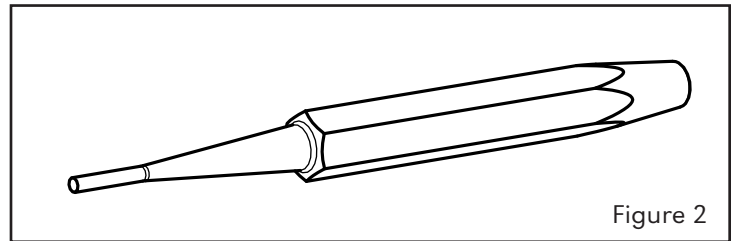


Figure 2

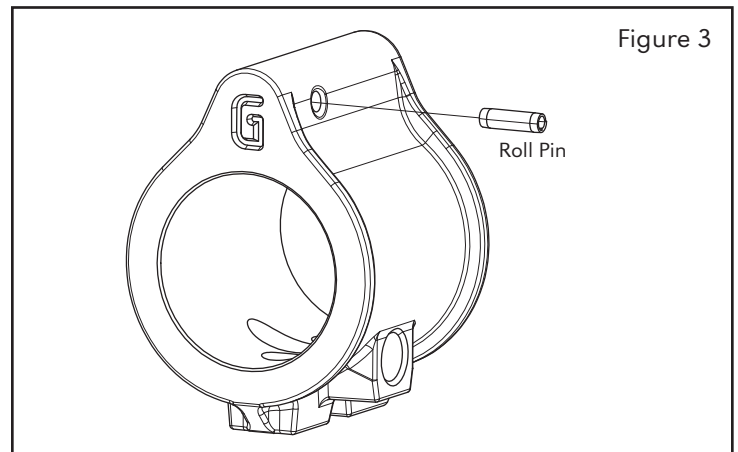


Figure 3

The Geissele Gas Block punches are made from properly hardened and tempered O1 tool steel. However, they are considered a consumable item. Eventually, they will wear out and need to be replaced.

Geissele will not replace tools damaged from misuse or normal wear and tear.

Thank You For Your Purchase.
Contact Geissele Automatics with any questions.

GEISSELE AUTOMATICS • 800 NORTH WALES RD • NORTH WALES, PA 19454
TEL: 610-272-2060 | FAX: 610-272-2069
E-MAIL: INFO@GEISSELE.COM | WEB: WWW.GEISSELE.COM